

Material

Housing:

PA66, UL94V-0

Pin header:

Brass, Tin plated

Electrical

Rated voltage: 150V

Rated current: 5A

Contact Resistance: 20 mΩ

Insulation resistance: 500MΩ/DC500V

Withstand voltage: AC1250V / 1min

Mechanical

Temp. Range: -40 °C ~ +105 °C

Order Information

RE - C - EDAV - 2.50 - XXP - 4 00

RoHS

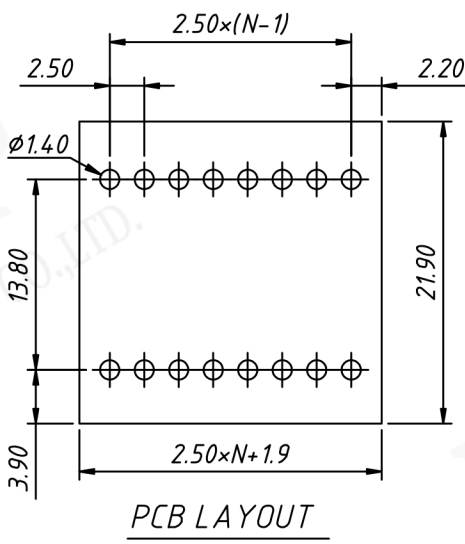
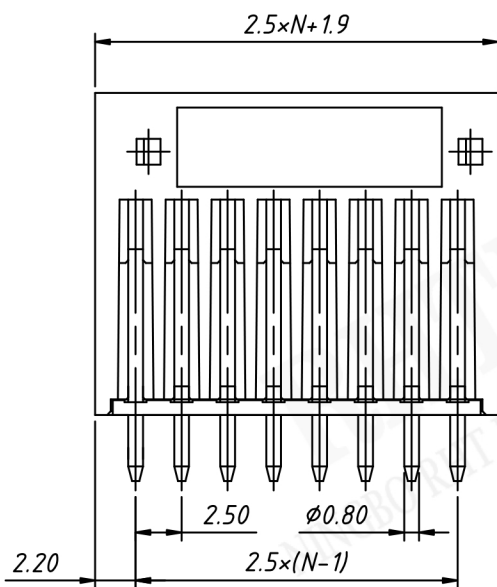
Terminal Block

Pitch

No.: of Pole

Color: 4- Green

Product Code: 00 ~ 99



NINGBO RHT ELECTRONIC CO., LTD

UNITS:mm

SHEET SIZE:A4

SCALE: ---



First angle projection

> 0 ~ 3

> 3 ~ 18

> 18 ~ 50

> 50 ~ 120

± 0.12

± 0.15

± 0.3

± 0.5

TERMINAL BLOCK