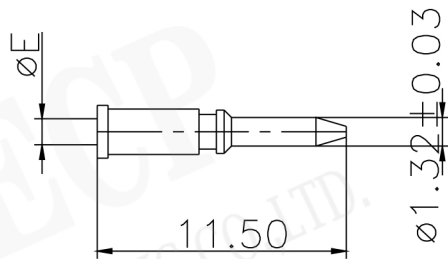
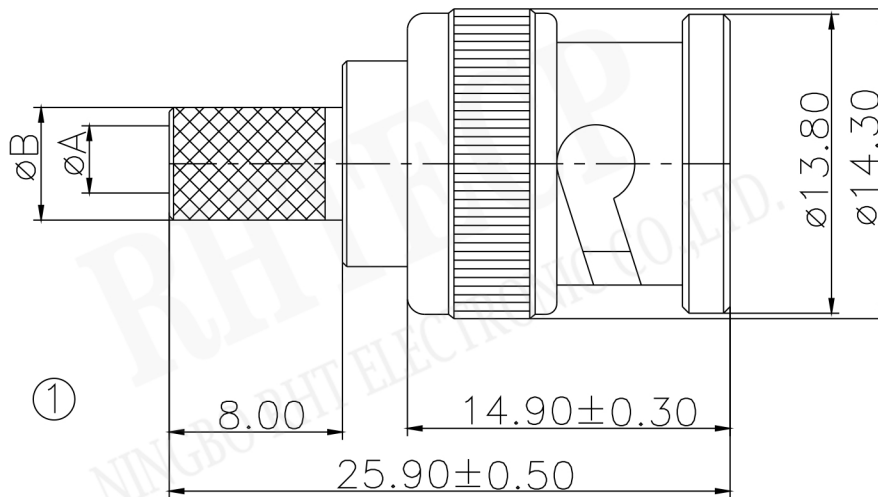


③



②

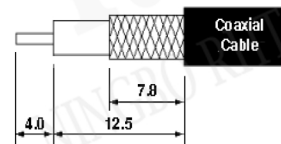


①

3	SLEEVE	BRASS	1	NICKEL PLATE
2	CENTER CONTACT	BRASS	1	GOLD PLATED
1	BODY	ZINC ALLOY	1	NICKEL PLATE
	WASHER	ZINC ALLOY	1	NICKEL PLATE
	SPRING	65Mn	1	NONE
	OUT CONTACT	ZINC ALLOY	1	NICKEL PLATED
	RUBBER WASHER	PVC	1	NONE
	INSULATOR	POM	1	NONE
	SHELL	ZINC ALLOY	1	NICKEL PLATED
	ITEM	DESCRIPTION	MATERIAL	Q'TY

PART #	ϕA	ϕB	ϕC	ϕD	ϕE	FOR WIRE
21-348-0	$\phi 3.2$	$\phi 4.55$	$\phi 5.6$	$\phi 6.5$	$\phi 1.0$	RG58/u
21-349-0	$\phi 3.9$	$\phi 5.5$	$\phi 6.4$	$\phi 7.3$	$\phi 0.8$	RG59/u

Strip Dimensions



NINGBO RHT ELECTRONIC CO.,LTD

UNITS:mm

SHEET SIZE:A4

SCALE:---

> 0 ~ 3

> 3 ~ 18

> 18 ~ 50

> 50 ~ 120

± 0.12

± 0.15

± 0.3

± 0.5



First angle projection

BNC CONNECTORS